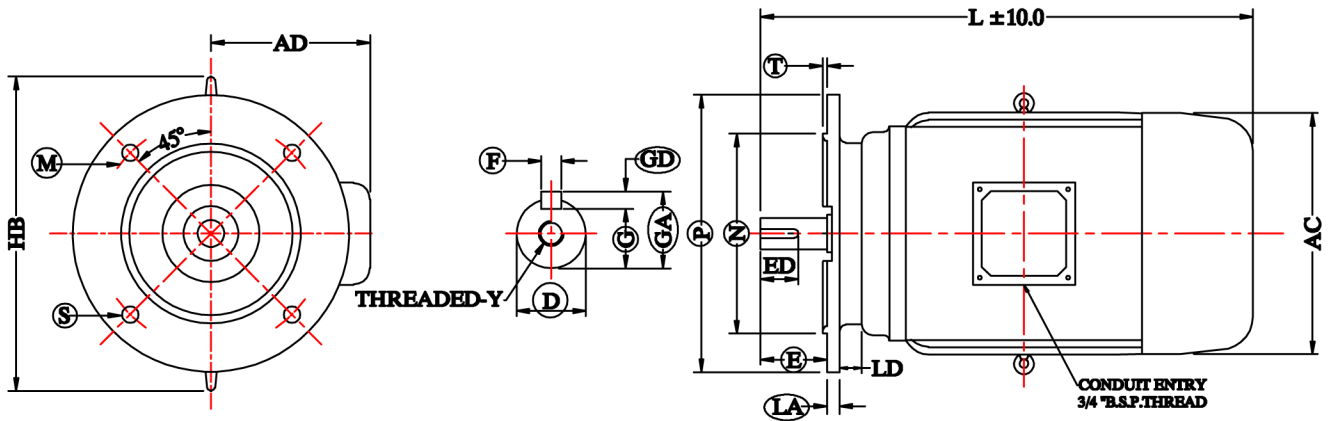


Outline Dimension Drawing For 1 Phase & 3 Phase Squirrel Cage TEFC FLANGE(B5) Mounted Induction Motors (6 Pole , 4 Pole & 2 Pole)



RINGED DIMENSION ARE AS PER IS 2223.(ALL DIONS ARE IN mm.)

FRAME	D	E	ED	F	G	GD	GA	Y	AD	AC	L	M	N	P	S	T	LA	LD	HB
ND63	11.008 10.997	23	16.0	4.000 3.970	8.5	4.000 3.970	12.5	M4x12	91.0	120.0	232.0	115.30 114.70	95.014 94.990	140.0	10.0	3.0	9.0	16.0	260
ND71	14.008 13.997	30	25.0	4.000 3.970	11.0	4.000 3.970	16.0	M5x12	102.0	142.0	242.0	130.30 129.70	110.014 109.990	160.0	10.0	3.5	9.0	16.0	280
ND80	19.009 18.996	40	27.0	6.000 5.970	15.0 14.8	6.000 5.970	21.5	M6x16	134	170	325	165.30 164.70	130.014 129.989	200	12	3.5	10.0	20.0	260
ND90S	24.009 23.996	50	36.0	8.000 7.91	20.8 19.8	7.000 6.91	27.0	M8x19	185	135	375	165.30 164.70	130.014 129.989	200	12	3.5	10	20.0	280
ND90L	24.009 23.996	50	36.0	8.000 7.91	20.8 19.8	7.000 6.91	27.0	M8x19	185	195	400	165.30 164.70	130.014 129.989	200	12	3.5	10	20.0	280
ND100L	28.009 27.996	60	44.0	8.000 7.91	24.0 23.8	7.000 6.91	31.0	M10x22	195	215	440	215.30 214.70	180.016 179.987	250	15	4.0	11	24.0	300
ND112M	28.009 27.996	60	44.0	8.000 7.91	24.0 23.8	7.000 6.91	31.0	M10x22	210	235	465	215.30 214.70	180.016 179.987	250	15	4.0	11	24.0	320
ND132M	36.018 36.002	80.0	60.0	10.000 9.910	33.00 32.80	8.000 7.910	41.0	M12x29	190	275	410	265.30 264.70	230.016 229.987	300	15	4.0	11	24.0	380

THESE DIMENSION MAY VERY BY 5mm DUT TO VARIATIONS IN CASTING
 THESE DIMENSION MAY VERY BY ±0.75mm

	NAME	SIGN.	DATE	GENERAL TOLERANCE ON DIMENSIONS UNLESS OTHERWISE SPECIFIED	ALL DIMENSIONS IN MILLIMETERS UNLESS OTHERWISE SPECIFIED
DESIGNED	NMG			ABOVE 0.5 0.5 0.5 0.5 0.5 0.5	
DRAW	ABS			UP TO 0.5 0.5 0.5 0.5 0.5 0.5	
APPD	RGG			DEVIATION ± 0.1 ± 0.1 ± 0.1 ± 0.1 ± 0.1	
SCALE :- 1:1				TITLE:- OUTLINE DIMENSION FOR FLANGE MOUNTED INDUCTION MOTOR	
SHRIRAM COATINGS					
L-186,M.L.D.C AREA AHMEDNAGAR-414 111.					
Email- info@shriramcoatings.com				DRG NO. SC 177 R0	